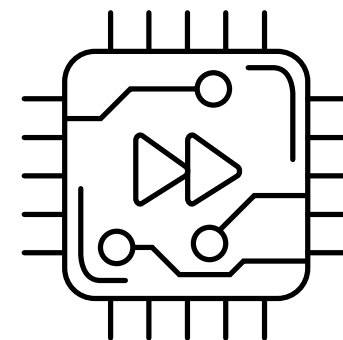


# Mounting Instructions LANCOM LW-500 / LW-600



## Preparation for ceiling- or wall mounting

Use the mounting plate as a drilling template to mark out the drill holes. Depending on the surface material the required size of the holes may vary. If required, drill a hole into the ceiling board to feed-through the connector cables. Alternatively, you can use the integrated cable duct on the access point to lead the cables sideways.

## Mounting to other surfaces

For mounting the device to other surfaces than described here, you may need different mounting accessories (screws, dowels, etc.). Pre-drilling may not be necessary when using the included self-drilling screws.

## Mounting the access point

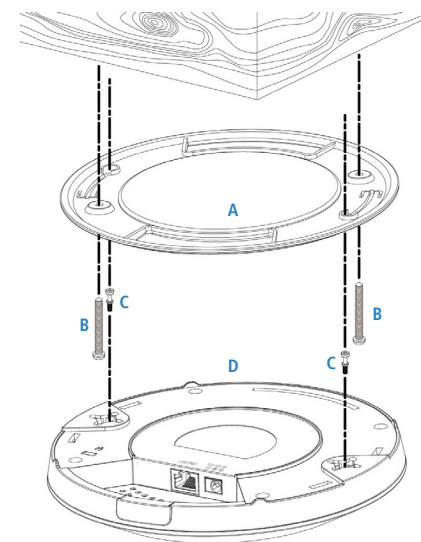
### Ceiling mounting to a wooden ceiling

Included:  
1 mounting plate **(A)**, 2 screws 2.6\*31 mm **(B)**,  
2 screws 2.6\*5.2/6.3 mm **(C)**

Place the mounting plate **A** to a ceiling in your desired location, insert the screws **B** through the appropriate holes, and tighten the screws to fix the plate in place.

When the mounting plate is in place, insert the screws **C** into the appropriate holes of the access point **D**.

Place the access point on the ceiling mounting plate by inserting the attached screws **C** into the appropriate holes of the mounting plate. Then twist the access point **D** clockwise until it clicks into place.



## Mounting to a drywall ceiling

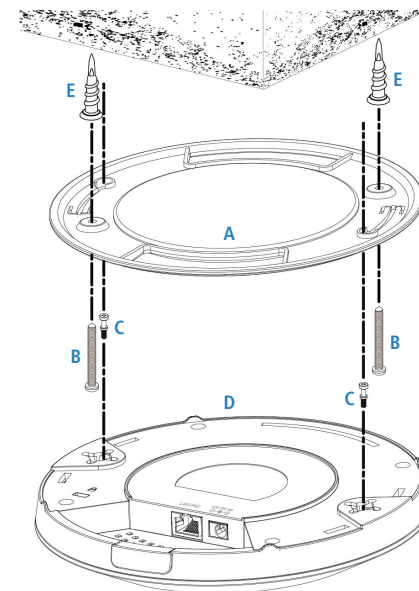
Included:  
1 mounting plate **(A)**, 2 self-drilling screws 40 mm **(E)**,  
2 screws 3.6\*31 mm **(B)**, 2 screws 2.6\*5.2/6.3 mm **(C)**

Screw the self-drilling screws **E** to the ceiling at the previously marked positions. Screw as tight as possible until the screw heads are flush-mounted to the ceiling to make it possible to place the mounting plate **A** flat to the ceiling surface in the next step.

Now align the mounting plate **A** with its appropriate holes to the previously mounted self-drilling screws **E**, so that the screws **B** can be screwed through the holes in the mounting plate into the screw heads of the self-drilling screws **E**. Tighten the screws **B** until the mounting plate rests backlash-free on the mounting surface.

When the mounting plate is in place, insert the screws **C** into the appropriate holes of the access point **D**.

Place the access point on the mounting plate by inserting the attached screws **C** into the appropriate holes of the mounting plate. Then twist the access point **D** clockwise until it clicks into place.



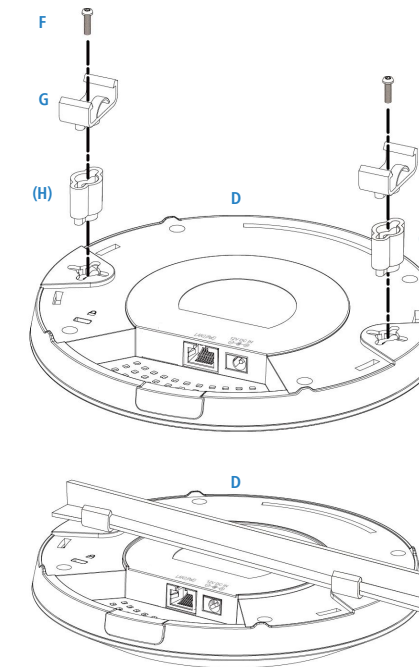
## T-rail mounting

Included:  
4 thread screws (2 pcs. 2.6\*10 mm, 2 pcs. 2.6\*25 mm **(F)**),  
4 T-rail brackets (2 pcs. 15.5 mm, 2 pcs. 24.9 mm **(G)**),  
2 spacers **(H)**

Select the correct size of T-rail brackets **G** from the two sizes which are included in the package contents.

Attach the T-Rail brackets **G** to the appropriate holes in the access point using the short screws **F** as shown. If you need more space between the access point and the T-Rail, then additionally use the spacers **H** between the brackets and the holes, and use the longer screws **F** included in the package contents.

Clip the access point **D** on to your T-Rail using the previously attached T-Rail bracket.

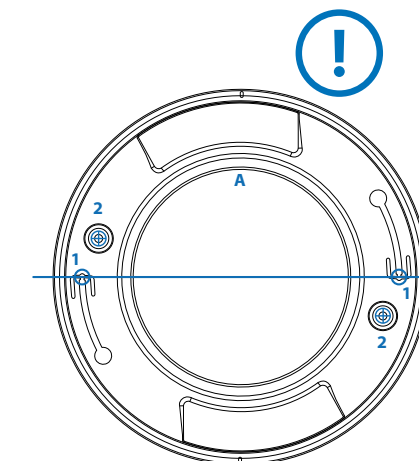


## Wall mounting with mounting plate

Included (as listed in chapter **Mounting to a drywall ceiling**):  
1 mounting plate **(A)**, 2 self-drilling screws 40 mm **(E)**,  
2 screws 3.6\*31 mm **(B)**, 2 screws 2.6\*5.2/6.3 mm **(C)**

### Fixing the mounting plate to the wall

Place the mounting plate **A** to a wall in your desired location and rotate the plate to make sure that the end points **1** of the locking mechanism for fastening the access point are horizontally aligned. In this position, use the mounting plate as a drilling template to mark the position of the two holes **2**. After having drilled the holes, use either the screws **B**, **B** and **E** (as described in chapter **Mounting to a drywall ceiling**), or your own mounting material to fix the mounting plate to the wall, depending on the wall material.



## Preparing the access point

Insert the screws **C** into the appropriate holes of the access point **D**.

## Fixing the access point to the mounting plate

Place the access point on the mounting plate by inserting the attached screws **C** into the appropriate holes **3** of the mounting plate.

Then twist the access point clockwise **4** until it clicks into place.

The screws **C** are now locked in their end positions **5** and the access point is fixed to the mounting plate.

