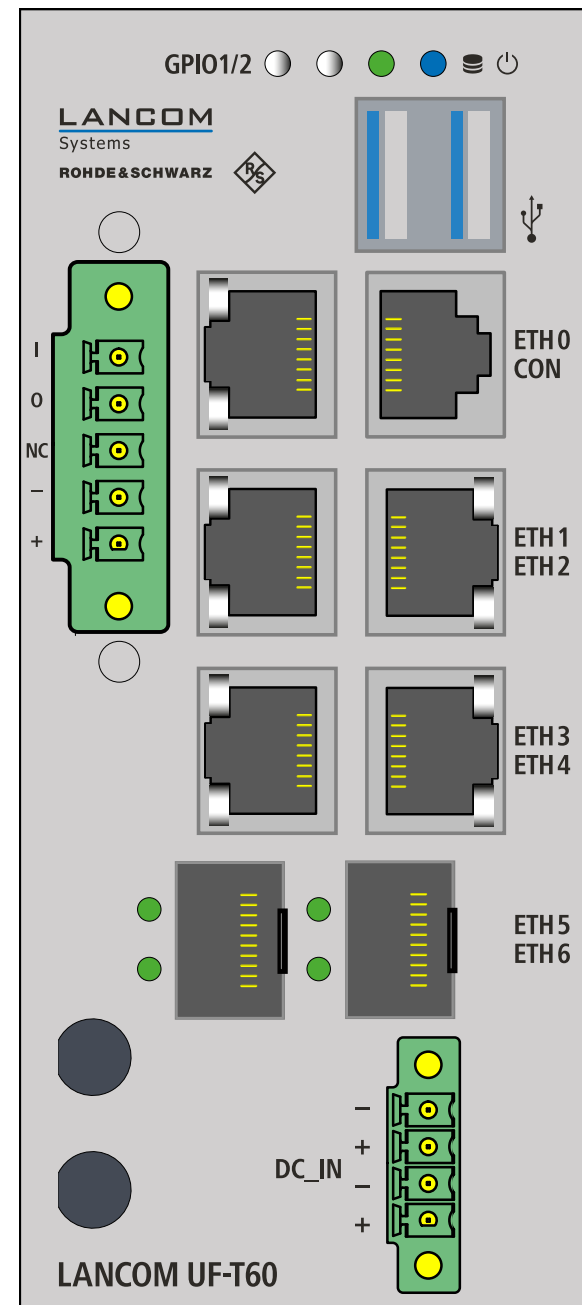


LANCOM R&S®UF-T60

Quick Reference Guide



- ① **5-pin GPIO terminal block connector (TTL level)**
For connecting DIO_PWR, DIO_GND, GPIO0, and GPIO
- ② **USB 3.0 interfaces**
Interfaces for reinstallation of the device software.
Not necessary for initial commissioning.
- ③ **TP Ethernet interfaces ETH0 - ETH4**
Connect the ETH0 - ETH4 TP Ethernet interfaces to additional network components using suitable Ethernet cables.
- ④ **Serial configuration interface RJ45 (CON)**
Maintenance interface for expert configuration.
Not necessary for initial commissioning.
- ⑤ **SFP interfaces ETH5 - ETH6**
Connect the ETH5 - ETH6 SFP interfaces to other network components using suitable SFP modules.
- ⑥ **4-pin terminal block connector**
For connecting the power supply 2x 12 – 36 V (SELV / PELV)
- ⑦ **Power button (device top)**
Press the power button to start up the device.
To power off the device, press the power button for 5 seconds.
- ⑧ **Reset button (device top)**
Short press - device restart



Reset



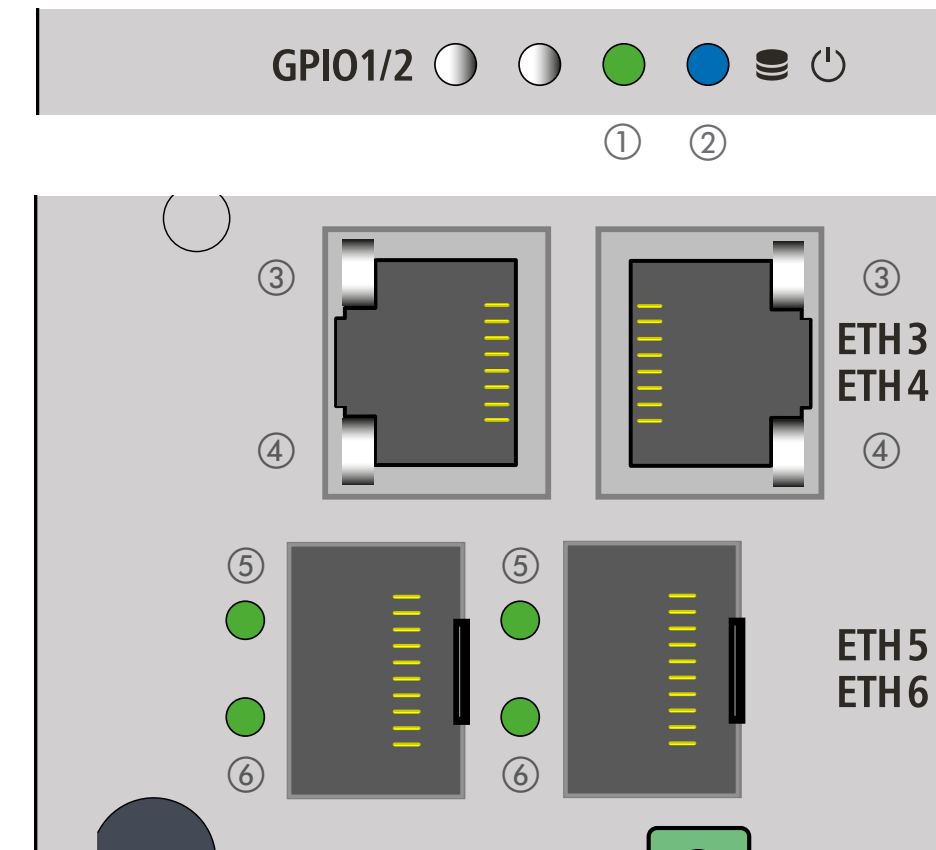
Please observe the following when setting up the device

- > The mains plug of the device must be freely accessible.
- > Do not rest any objects on top of the device and do not stack multiple devices.

Before initial startup, please make sure to take notice of the information regarding the intended use under www.lancom-systems.com/safety!
Operate the device only with a professionally installed power supply at a nearby power socket that is freely accessible at all times.

- > Keep the device's ventilation slots clear of obstruction.
- > Mount the device in a free slot of an appropriate control cabinet using the enclosed DIN rail mounting material.

MOUNTING AND CONNECTING THE DEVICE



① ② LEDs HDD / Power

HDD off	No HDD read / write access
HDD green	HDD read / write access
POWER off	Device switched off
POWER blue	Device ready and accessible

③ ④ LEDs ETH0 - ETH4 - TP Ethernet

③ LEDs - Link speed	
Off	Link speed 10 Mbps
Green, permanently	LinkSpeed 1000 Mbps
Orange, permanently	Link speed 100 Mbps
④ LEDs - Link activity	
Off	no link detected
Green, permanently	Link detected, no port activity
Green, blinking	Link detected, port activity

⑤ ⑥ LEDs ETH5 - ETH6 - SFP

⑤ LEDs - Link detection	
Off	No link detected
Green, permanently	Link detected
⑥ LEDs - Link activity	
Off	no link detected
Green, permanently	Link detected, no port activity
Green, blinking	Link detected, port activity

Hardware	
Power supply	External power supply 2x 12 –36 V
Max. power consumption	40 W
Operating environment	Temperature range -20–70 °C; humidity 5–90 %, non-condensing
Housing	Robust metal housing with mounting accessories for control cabinet mounting; Network connections on the front side
Fans	None
Dimensions (mm)	68.4 x 130 x 150 (W x H x D)
Interfaces	
ETH	5x 10 / 100 / 1000 Mbps Gigabit Ethernet ports
SFP	2x SFP ports
USB	2x USB 3.0 ports
Console	1x RJ45 configuration interface
Power supply	1x 4-pin terminal block connector for connecting the power supply
GPIO	1x 5-pin terminal block connector
Declaration of Conformity	
Hereby, LANCOM Systems GmbH Adenauerstrasse 20/B2 D-52146 Wuerselen, declares that this device is in compliance with Directives 2014/30/EU, 2014/35/EU, 2011/65/EU, and Regulation (EC) No. 1907/2006. The full text of the EU Declaration of Conformity is available at the following Internet address: www.lancom-systems.com/doc	
Package contents	
Documentation	Quick Reference Guide (DE/EN), Quick Install Guide (DE/EN), Service & Support Guide (DE/EN)
Accessories	DIN rail mounting accessories